

2ft 20W LED IP65 Weatherproof - B2B

Authorized Licensee for TOSHIBA trademark



1. Specification:

A. General Data

Model	2ft 20W IP65 Weatherproof Cool White	2ft 20W IP65 Weatherproof Neutral White
Product Code	01601760452A	01601760453A
P/N	MMR-WP65620AAA01	MMR-WP40620AAA01
Rated Voltage	220-240 VAC	220-240 VAC
Frequency	50-60 Hz	50-60 Hz
Rated Wattage	20 W	20 W
Deviation Tolerance of Rated Wattage	±10 %	±10 %
Power Factor	0.9(typical)	0.9(typical)
Start On	<0.5S	<0.5S
Dimmable	NO	NO
Beam Angle	130°	130°
UGR	N/A	N/A
EEL	0.133	0.133
Energy Class	A+	A+
Safety requirements	CE	CE
Applicable Environments	IP65	IP65
Base	N/A	N/A
Type of Installation	Ceiling	Ceiling
Exchangeable LED Module	NO	NO

B. Light Data

Color	Cool White	Neutral White
Color Temperature (CCT)	6500K	4000K
Rated Lumen Output*	2050 lm	2050 lm
Color Rendering Index*	80	
Efficacy*	102.5 lm/W	102.5 lm/W
Color Consistency**	6 Step MacAdam Ellipse (6 SDCM)	

*tolerance +/- 10% ** 6500K center point (0.3123, 0.32825) , 4000K center point (0.380, 0.377)

C. Lifetime

(Supplied Voltage: AC230V; Ambient Temperature: 25°C)

Lumen Maintenance Factor	70% of the rated lifetime
Rated Lifetime – L₇₀B₅₀	50,000 hrs
Switching Cycles	≥ 25,000

D. Temperature Operation

Normal operation temperature	-20°C ~ 50°C
Relative Humidity	10% ~ 90%

E. Geometric Data

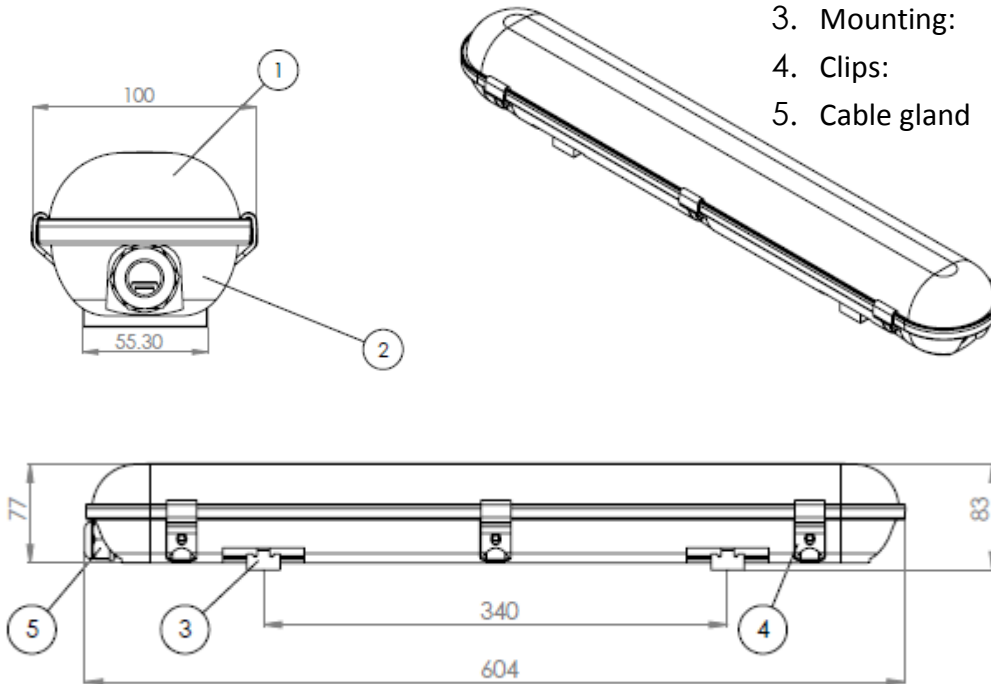
Maximum length	604 ± 5 mm (23.3 ± 0.19 inch)
Maximum width	100 ± 5 mm (3.86 ± 0.19 inch)
Maximum thickness	77 ± 5 mm (2.97 ± 0.19 inch)
Mass	760 ± 50 g

F. Environmental relevant materials

Mercury (Hg)	Comply with RoHS Directive 2011/65/EU
Lead (Pb)	
Cadmium(Cd)	
Hexavalent Chromium(Cr6+)	
Polybrominated Biphenyls(PBBs)	
Polybrominated Diphenyl Ethers(PBDEs)	

2. Outline Drawing

Unit : mm



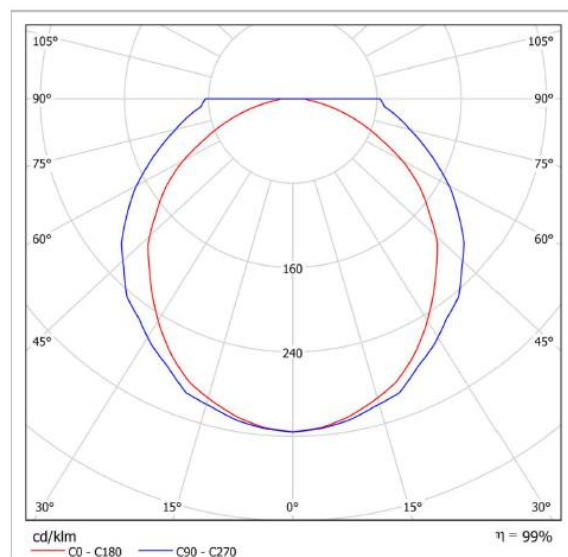
Material Information

- | | |
|----------------|----------|
| 1. Cover: | Plastic |
| 2. Base: | Plastic |
| 3. Mounting: | Aluminum |
| 4. Clips: | Plastic |
| 5. Cable gland | Plastic |

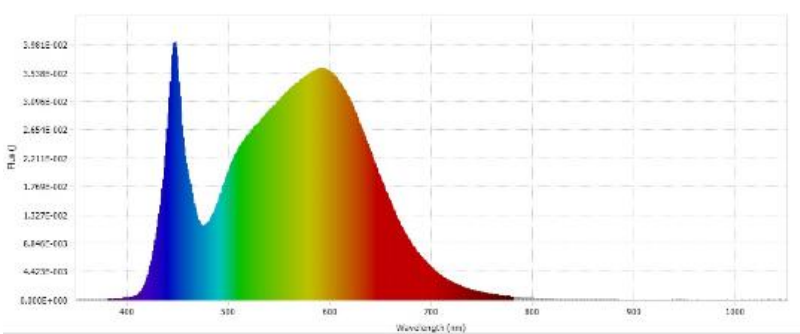
3. Installation Instructions

TBD

4. Light Distribution Curve



5. Spectrum Distribution



6. Warnings

- Before replacing, turn off power and let lamp cool to avoid electrical shock or burn.
- Do not touch electronic components, electronic components maybe under high voltage.
- Do not stare into LED light beam
- The luminaire shall be installed by a qualified electrician and wired in accordance with the latest IEE electrical regulations or the national requirements.

7. Notes

All characteristics are estimated at room temperature (25°C), free air burning, base up burning position and at rated voltage. In view of the complex manufacturing process for light above for the technical LED parameters are merely statistical values that do not necessarily correspond to the actual technic individual products may vary from the typical values.

8. Logistic information

Model	2ft 20W IP65 Weatherproof Cool White	2ft 20W IP65 Weatherproof Neutral White
P/N	MMR-WP65620AAA01	MMR-WP40620AAA01
Product Code	01601760452A	01601760453A
Pieces per pack	1	
EAN code on pack	4712947604529	4712947604536
Size of pack	638x112.5x85mm	
Weight per pack (G.W)	0.91 kg	
Packs per inner box	N/A	
EAN code on inner box	N/A	
ITF code on inner box	N/A	
Size of inner box	N/A	
Weight per inner box(G.W)	N/A	
Packs per outer box	6	
EAN code on outer box	4712947604604	4712947604611
ITF code on outer box	14712947604526	14712947604533
Size of outer box	668x283x260mm	
Weight per outer box(G.W)	6.3 kg	

9. Conformity

Directive 2014-35-EU; Low Voltage Directive	EN 60598-2-1+ EN 60598-1 、 EN 62031 、 EN62471 、 EN62493 EN 61347-2-13
2014-30-EU; EMC Directive	EN 55015 、 EN 61000-3-2 、 EN 61000-3-3 EN 61547
2009/125/EC; ErP Directive	EU No. 1194 、 EU No. 874
2011/65/EU; RoHS Directive	EN 50581

10. Business Scheme (Countries)

A. Applicable countries

France, Italy, Belgium, Spain, Morocco, Portugal, Netherlands, Luxembourg, Germany, Turkey, Greece, Austria, Switzerland, Bulgaria, Poland, Hungary, Israel, Sweden, Norway, Ireland, England

Note : The requirement of each country will be reflected to the product specifications, when the products will be shipped to such country

B. Manufacture

Unity Opto Technology Co., Ltd.

C. Sales channel

B2B flow and B2C